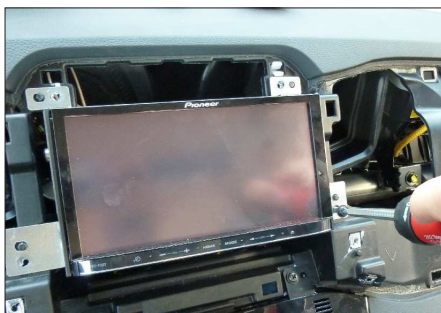


9. Attach metal mounting brackets to Double DIN Navigation



10. Connect all required circuit points
Fix Double DIN Navigation on dashboard



11. Remove hazard light switch (1) from OEM head unit - attach it to double DIN fascia plate

Remove upper instrumental panel (2) - attach it to double DIN fascia plate

Fix clips to double DIN fascia plate

Place double DIN fascia plate
Reinstall everything in reverse order to finish installation



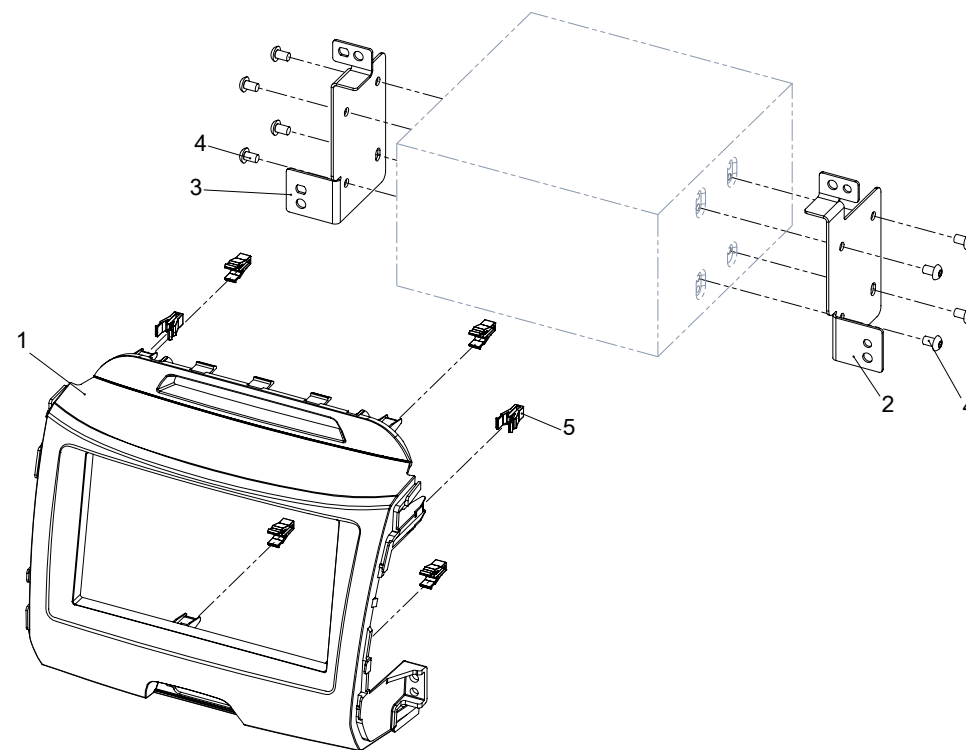
Installation Manual Double DIN Kit

black: 381178-28-1
grey: 381178-28-2

Kia Sportage III 2010->

Compatible with double DIN devices

Double-DIN Navigation



(1) Double DIN Fascia Plate
(2) Mounting bracket (right)

(3) Mounting bracket (left)
(4) Fixing screws
(5) Clips



1. Remove screws of OEM head unit (left and right)



5. Remove left side panel by pulling it towards your direction



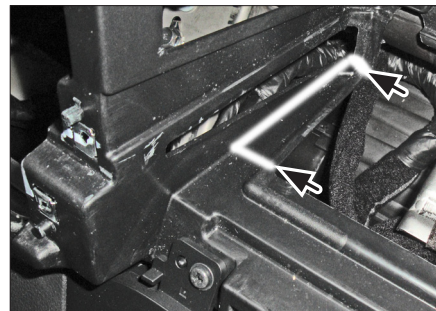
2. Unclip right side panel



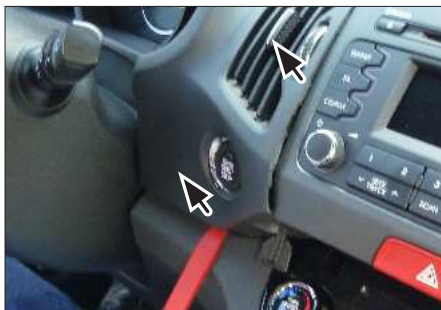
6. Remove screws of OEM head unit
Remove OEM head unit



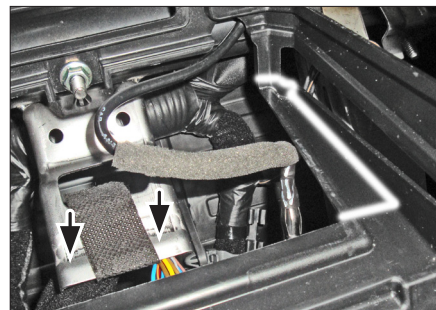
3. Remove right side panel by pulling it towards your direction



7. Cut here: see white line (left side)



4. Unclip left side panel



8. Cut here: see white line (right side)
Bend down metal bar (see arrows) in order to clear space for double DIN head unit